

Forma 5

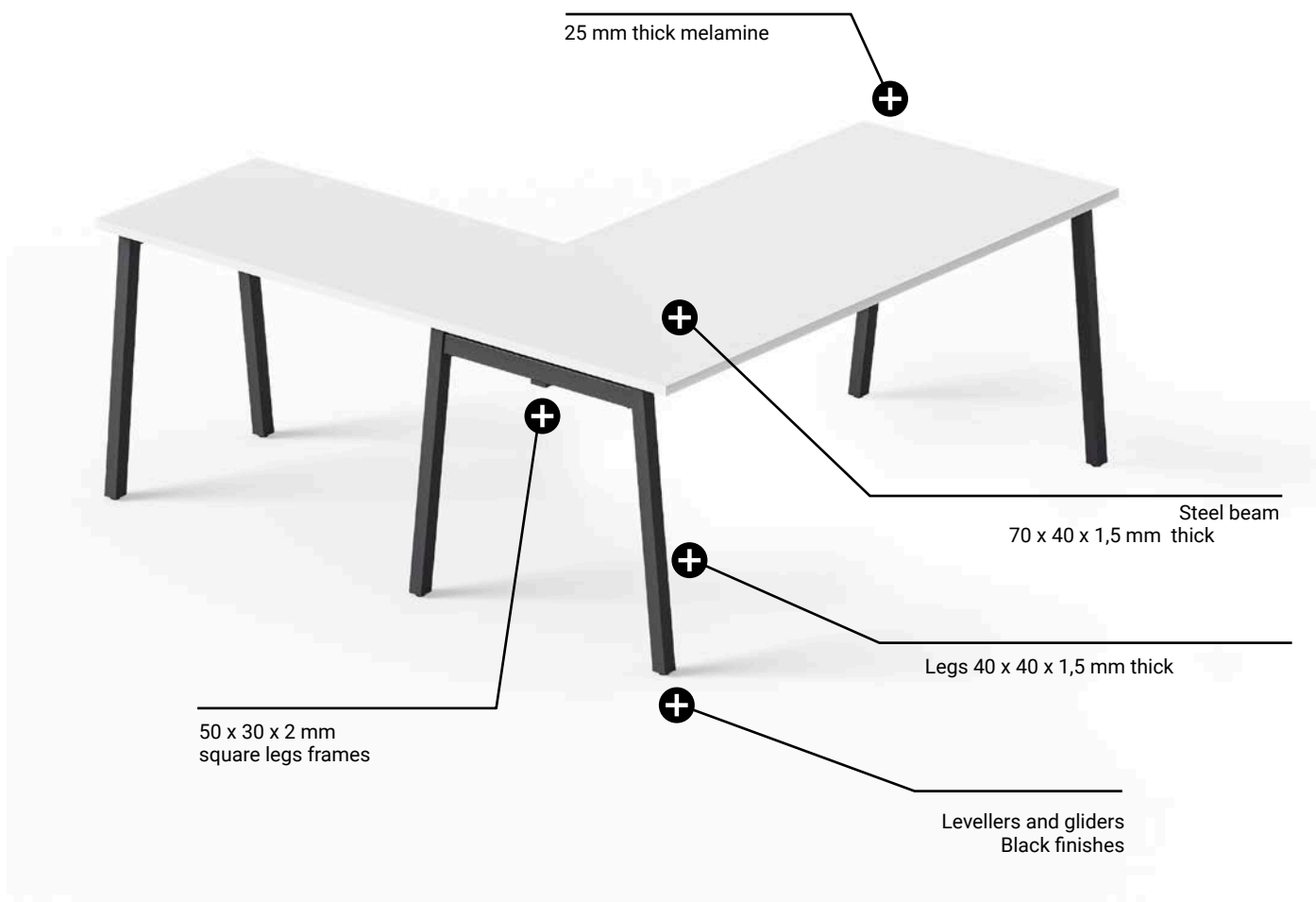
TECHNICAL FEATURES

M-NEXT



SINGLE DESK

25 mm thick melamine



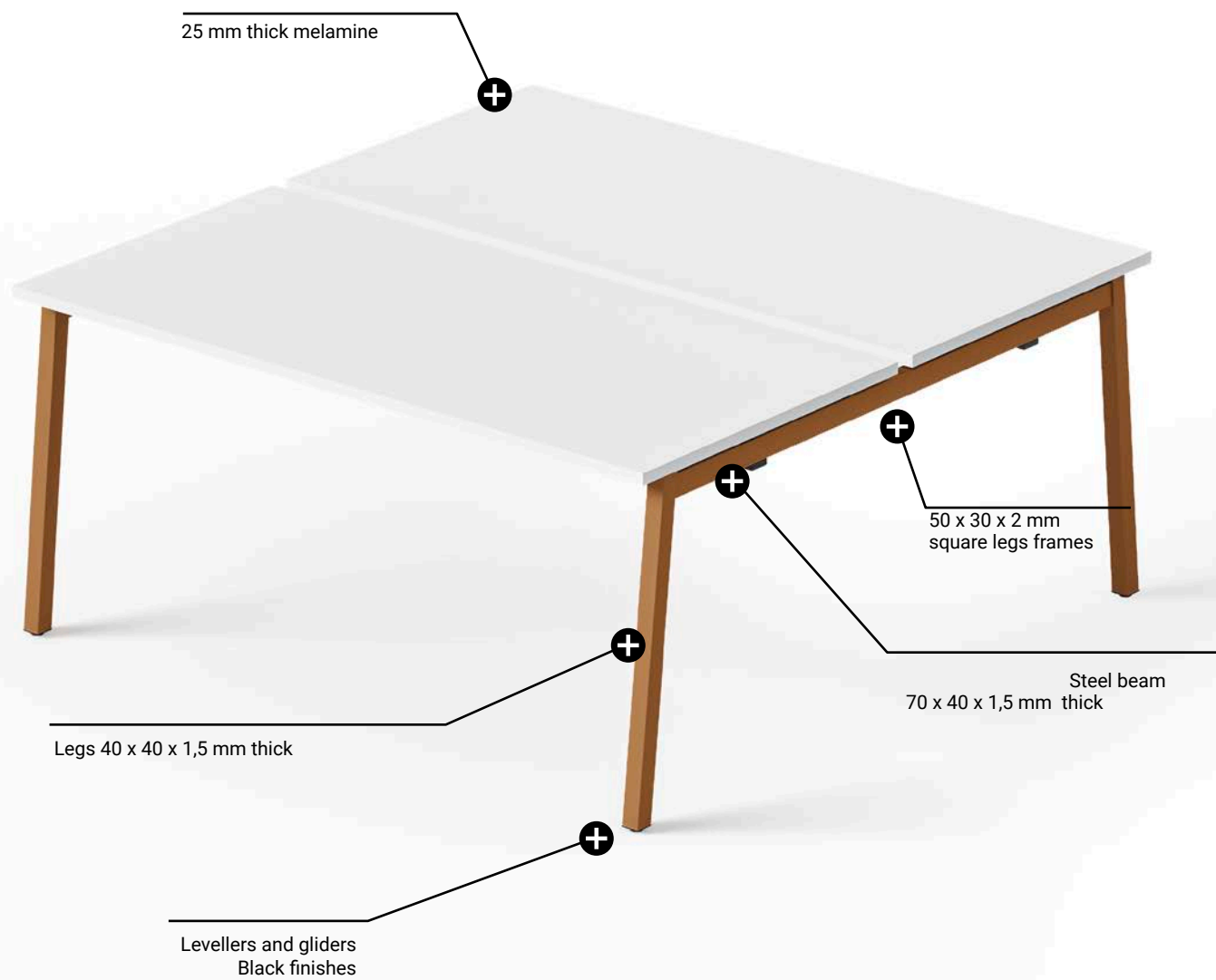
Steel beam
70 x 40 x 1,5 mm thick

Legs 40 x 40 x 1,5 mm thick

50 x 30 x 2 mm
square legs frames

Levellers and gliders
Black finishes

BENCH



ELEMENT DESCRIPTION

DESK TOPS

Melamine: 25 mm thick melamine particle board. 2 mm thick thermofused edges around the perimeter. Drilled underneath side to allow the assembly. The quality requirements for the board are made according to the UNE-EN 312 legal terms, corresponding to P2 board. The average 25 mm thick board density is 595/m³.

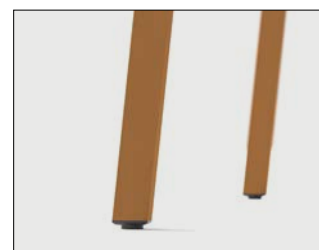


STRUCTURE

A single beam made of leg frames and a central beam.

LEG FRAMES

Square leg steel tube 50 x 50 x 1.5 mm thick with crossbar 40 x 40 x 1,5 mm. 100 micron epoxy powder paint. This program includes three types of leg frames: simple (for single desks), double (for bench desks) and add-on leg frames (for bench and single desks). The last type provides longitudinal growth for add-on desks and, as it is shorter than the bench side where it is installed, it facilitates the distribution of workstations.



BEAMS

A beam of 70 x 40 x 1.5 mm thick and with a 100 micron layer epoxy paint. Junction between the beam and the leg frame with a plastic piece to allow the assembly, obtaining a more elaborate aesthetics.

FLOOR SUPPORT

Floor support with polypropylene levellers, black finishes, to keep the desk surface straight.



Snow white



Black



Mouse grey



Ubrique Brown



Alhambra Terracotta



Oliva Green



Atlántico Blue

DESK SCREENS



MELAMINE DESK SCREEN

19 mm thick particle board with 2 mm thermofused edges around the perimeter. Fixed to the framework with specific fittings.



GLASS DESK SCREEN

6 mm (3 + 3 mm) laminated glass with inner butyral sheet. Polished edges and rounded corners. Fixed to the framework by specific fittings.



UPHOLSTERED DESK SCREEN

16 mm thick particle board base with both sides upholstered, fixed to the framework by specific fittings. Sewings at laterals.



UPHOLSTERED ACOUSTIC DESK SCREEN

16 mm thick particleboard base covered with a 5 mm thick foam cover with 30Kg/m³ density and upholstered on both sides. Double perimeter seam. Fixing to the structure of the desk by specific fittings.

FABRIC METERS

	Desks 180 width	Desks 160 width	Desks 140 width	Desks 120 width
Front screen	1,9 m	1,7 m	1,5 m	1,3 m

Fabric meters for 1 unit. For other units, consult if possible the fabric optimization.

ELEMENT DESCRIPTION



MELAMINE MODESTY PANELS

19 mm thick particles board with 1,2 mm thick thermofused edges in its whole perimeter fixed to the framework with specific fittings hidden under the desk.



METAL MODESTY PANELS

Drilled steel modesty panel with powder epoxy paint finished 220°C polymerized (1,5 mm thick) and engraved texture. Hanging from the front beam.

ACCESSORIES FOR DESK SURFACE



SQUARE DESK GROMMETS

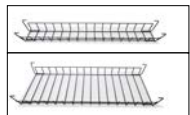
ABS tap of 94 x 94 mm and polished finish. Polypropylene piece Ø 80 mm inner. Height 25 mm (2 mm over top).



POLYAMIDE TOP ACCESS

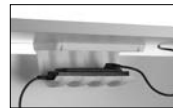
Polyamide part outer dimensions are 245 mm x 125 mm x h: 25 mm. The inner has a gap of 225mm x 90mm for the cable management. Set of two pieces made of polyamide with 10% glass fiber and 20% microspheres.

HORIZONTAL CABLE DRIVING



REMOVABLE WIRE CABLE TRAYS

Electrowelded wire tray Ø 5 mm rod. Fix to the tap by metal plates.



POLYPROPYLENE CABLE TRAY

Variable thick polypropylene tray. Overall dimensions 365 x 165 x 150 mm. Fixation to top directly by screws.



METAL CABLE TRAY TO SERVICE POWER

Metal cable tray to service power outlet, made of steel sheet, 1,2 mm thickness and 300 mm in length. Possibility of setting a power block. Fixing in the desk top with wooden screws. outlet



EXTENSIBLE TRAY

Extensible tray made of die-cut and folded plate of 1mm and 350 mm of width. This tray is mechanised to put power blocks. It is suspended directly in the structure (leg frames).



POLYPROPYLENE WIRE CABLE TRAY

Variable thick polypropylene tray. Overall dimensions 472 x 360 x 114 mm. Fixation to beams by folds in the mold. It is possible to screw it to the top.

VERTICAL CABLE DRIVING



METAL CABLE PILLAR

1,5 mm thick metal pillar. Section 71 x 70 mm, base 160 x 160 mm. Overall height 572.5 mm.



FABRIC CABLE RISER

Fabric cable riser, made of Web mesh and 80 mm diameter. It is only compatible with the extensible tray. Fixed by an elastic band. Includes longitudinal velcro to facilitate the introduction of cables later.



CABLE SPINE FOR ELECTRIFICATION

Spiral thermoplastic material, anchored to the top by screws and to the ground with a pedestal base. Silver gray finish.

ADDITIONAL ACCESSORIES



ADJUSTABLE CPU CABINET

Support folded metal sheet, 2 mm thick. Adjustable height and width to suit different dimensions. Screwed to desk top. Flexible polyurethane protections to prevent vibration and to ensure an optimal fit.



4 WAY POWER BLOCK

16A 250V sockets for 3 x 1.5 mm² power cable.



POWER CABLE AND EXTENSION CABLE

3 x 1,5 mm² cable 250V 16A with grounding.

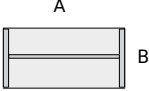
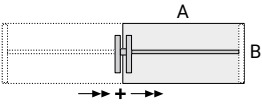
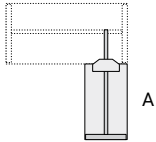
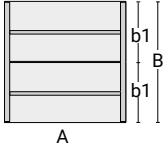
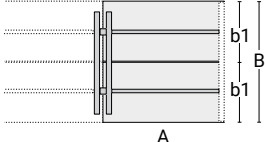


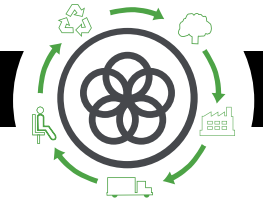
3 WAY POWER BLOCK WITH 2X RJ45 DATA

16A 250V sockets for 3 x 1.5 mm² power cable.

CONFIGURATIONS AND DIMENSIONS

SINGLE DESKS - RETURN DESK - BENCH DESK

 <p>A</p> <p>B</p>	<p>DESK</p> <p>A x B</p>	<p>180 x 80</p> <p>160 x 80</p> <p>140 x 80</p> <p>120 x 80</p> <p>180 x 67</p> <p>160 x 67</p> <p>140 x 67</p> <p>120 x 67</p>
 <p>A</p> <p>B</p>	<p>ADD-ON DESK</p> <p>A x B</p>	<p>180 x 80</p> <p>160 x 80</p> <p>140 x 80</p> <p>120 x 80</p> <p>180 x 67</p> <p>160 x 67</p> <p>140 x 67</p> <p>120 x 67</p>
 <p>A</p> <p>B: 60</p>	<p>RETURN DESK</p> <p>A x B</p>	<p>100 x 60</p> <p>80 x 60</p>
 <p>A</p> <p>B</p> <p>b1</p> <p>b1</p>	<p>BENCH</p> <p>A x B/b1</p>	<p>180x160/78</p> <p>160x160/78</p> <p>140x160/78</p> <p>120x160/78</p> <p>180x138/67</p> <p>160x138/67</p> <p>140x138/67</p> <p>120x138/67</p>
 <p>A</p> <p>B</p> <p>b1</p> <p>b1</p>	<p>ADD-ON BENCH</p> <p>A x B/b1</p>	<p>180x160/78</p> <p>160x160/78</p> <p>140x160/78</p> <p>120x160/78</p> <p>180x138/67</p> <p>160x138/67</p> <p>140x138/67</p> <p>120x138/67</p>



Life Cycle Analysis
Program Folding M-NEXT



RAW MATERIALS		
Raw Material	Kg	%
Steel	9,28 Kg	26,97%
Plastic	1,33 Kg	3%
Wood	22,39 Kg	65,03%

% Recycled materials= 68,64%
 % Recyclable materials= 96,05%

Ecodesign

Results reached during the life cycle stages



MATERIALS

Steel
 15%-99% recycled material.

Wood
 70% of the wood material is recycled, has PEFC/FSC and complies within the E1 standard.

Plastic
 30%-40% recycled material.

Paintings
 Powder painting without COV emissions.

Packings
 100% recyclable with inks with no solvents.

PRODUCT ENVIRONMENTAL STATEMENT



PRODUCTION

Raw materials use optimization

Board, upholstery and steel tubes cut.

Renewable energies use

reducing the CO2 emissions. (Photovoltaic panels)

Energy saving measures

in all production process

COV global emission reduction

of the production processes by 70%.

Podwer painting

ecovery of 93% of the non deposited painting

Glue removal from the upholstery

The facilities
have an internal sewage for liquid waste.

Green points

at the factory

100% waste recycling

at production process ans dangerous waste special treatment.



TRANSPORT

Cardboard use opmitization

of the packings

Cardboard and packing materials use reduction

Flat packings and small bulks

to optimize the space.

Solid waste compacter

which reduces transport and emissions.

Light volumes and weights

Transport fleet renewal

reducing by 28% the fuel consumption.

Suppliers area reduction

Local market power and less pollution at transport.



USE

Easy maintenance and cleaning

without solvents.

Forma 5 guarantee

The highest quality

for materials to provide a 10 year average life of the product.

Useful life optimization

of the product due to a standarized and modular design.

The boards

with no E1 particle emission.



END LIFE

Easy unpacking

for the recyclability or compound reuse.

Piece standarization

for the use.

Recycled materials used for products

(% recyclability):

Steel is 100% recyclable.

Wood is 100% recyclable.

Plastics is 100% recyclable.

With no air or water pollution

while removing waste.

Returnable, recyclable and reusable packing

Product recyclability 99%

DOWNLOAD
Sustainability Report 2024

DOWNLOAD
Environmental Product
Declaration



FROM OUR SKIN, FOR THE EARTH

“From our skin, for the Earth” is our promise, the way we look at, feel and envisage sustainability.

It means soul and art, intention and action, vision and journey. Acting based on our thoughts and feelings to protect nature, the people who live in it, the time that is left. Learning from the journey, the legacy and the spirit of the south. A deliberate, mindful, authentic spirit.

A message that encourages us to think from our skin, create from truth and produce with dedication, mindful and responsible furniture for a better tomorrow on this planet.

“Desde la piel, para la Tierra” es nuestra promesa, nuestra forma de mirar, de sentir y concebir la sostenibilidad.

Es alma y arte, intención y acción, mirada y camino. Es actuar desde el sentimiento y el pensamiento para proteger la naturaleza, las personas que la habitan, el tiempo que queda por venir. Aprendiendo del camino, del legado y de la esencia del sur. Una esencia pausada, consciente, auténtica.

Un mensaje que nos incita a pensar desde la piel, crear desde la verdad y producir con compromiso, un mobiliario consciente y respetuoso para un mejor mañana en este planeta.

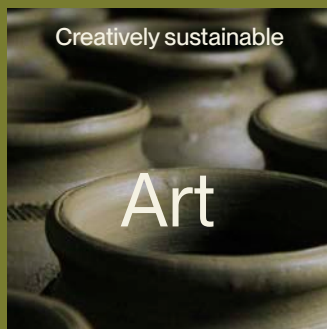
“From our skin, for the Earth” est notre promesse, notre façon de voir, de ressentir et de concevoir le développement durable. C’est une âme et un art, l’intention et l’action, le regard et le chemin. C’est agir à travers le sentiment et la pensée pour protéger la nature, les personnes qui l’habitent, le temps qui reste à venir. Apprendre du chemin, de l’héritage et de l’essence même du sud.

Une essence posée, consciente, authentique. Un message qui nous encourage à penser à travers notre peau, à créer à travers la vérité et à produire de façon engagée, un mobilier conscient et respectueux, pour construire un avenir meilleur sur cette planète.

“From our skin, for the Earth” lautet unser Versprechen. Das ist unsere Art, Nachhaltigkeit sichtbar, spürbar und erlebbar zu machen.

Es ist der Geist und die Kunst, die Absicht und die Handlung, die Betrachtung und der Weg. Es bedeutet, nach Gefühl und Gewissen zu handeln, um die Natur zu schützen, die Menschen, die sie bewohnen, und die Zeit, die noch vor uns liegt. Und dabei vom Weg, dem Erbe und der Essenz des Südens zu lernen. Eine ruhige, bewusste, authentische Essenz.

Eine Botschaft, die uns dazu anregt, aus unserer Haut heraus zu denken, aus der Wahrheit heraus zu erschaffen und mit viel Hingabe eine verantwortungsvolle und umweltfreundliche Einrichtung für eine bessere Zukunft auf diesem Planeten zu schaffen.



SUSTAINABILITY PRODUCT

M-NEXT

SUSTAINABLE BY DESIGN

SOSTENIBLE DESDE SU DISEÑO
DURABLE DÈS LA CONCEPTION
NACHHALTIG DURCH DESIGN



M-Next reinterprets the M10 series with a sustainable approach: fewer components, reduced use of raw materials, and an efficient design that ensures the quality and performance of this new generation of operational desks by Forma 5.

M-Next reinterpreta la serie M10 con un enfoque sostenible: menos componentes, menor consumo de materias primas y un diseño eficiente que garantiza la calidad y el rendimiento de esta nueva generación de mesas operativas de Forma 5.

M-Next réinterprète la série M10 avec une approche durable: moins de composants, une consommation réduite de matières premières et un design efficace qui garantit la qualité et les performances de cette nouvelle génération de bureaux opératifs signée Forma 5.

M-Next interpretiert die M10-Serie mit einem nachhaltigen Ansatz neu: weniger Komponenten, geringerer Rohstoffverbrauch und ein effizientes Design, das Qualität und Leistung dieser neuen Generation von Arbeitsplatz-Tischen von Forma 5 sichert.

ECODESIGN

ECODISEÑO
ÉCODESIGN
ECODESIGN



Ecodesign integrates ecological criteria in the design of products, reducing their environmental impact throughout their life cycle. At Forma 5 Group, the first Andalusian company in the sector with ISO 14006 certification, we are committed to designs that provide added value in terms of sustainability

El ecodiseño integra criterios de ecológicos en el diseño de productos, reduciendo su impacto medioambiental durante todo su ciclo de vida. En Grupo Forma 5, primera empresa andaluza del sector con la certificación ISO 14006, estamos comprometidos con el diseño que aporte un valor añadido en sostenibilidad

Écodesign intègre des critères écologiques dans la conception des produits, réduisant ainsi leur impact sur l'environnement tout au long de leur cycle de vie. Le Forma 5 Group, première entreprise andalouse du secteur certifiée ISO 14006, s'engage à concevoir des produits qui apportent une valeur ajoutée en termes de durabilité

Ecodesign integriert ökologische Kriterien in das Design von Produkten und reduziert deren Umweltauswirkungen während ihres gesamten Lebenszyklus. Bei Forma 5 Group, dem ersten andalusischen Unternehmen der Branche mit ISO 14006-Zertifizierung, setzen wir uns für ein Design ein, das einen Mehrwert in Bezug auf Nachhaltigkeit bietet.

INNOVATION IN MACHINERY

INNOVACIÓN EN MAQUINARIA
INNOVATION DANS LES MACHINES
INNOVATION IM MASCHINENBAU



At Forma 5 Group we invest in the latest technology in machinery which, by advanced software, analyses the most efficient way of cutting raw materials, thus minimising the potential waste generated during the manufacture of the M-Next series

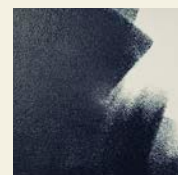
En Grupo Forma 5 apostamos por maquinaria de última tecnología que, mediante avanzados programas informáticos, analiza la forma más eficiente de realizar el corte de las materias primas, lo que permite minimizar los desechos potenciales generados durante la fabricación de la serie M-Next

Forma 5 Group investit dans des machines de dernière technologie qui, grâce à des logiciels avancés, analysent la manière la plus efficace de couper les matières brutes, minimisant ainsi les déchets potentiels générés lors de la fabrication de la série M-Next.

Forma 5 Group investiert in die neueste Maschinentechologie, die mit Hilfe fortschrittlicher Software die effizienteste Art und Weise des Zuschnitts von Rohstoffen analysiert und so den potenziellen Abfall bei der Herstellung der M-Next-Serie minimiert.

ELIMINATING TOXINS

ELIMINACIÓN DE TOXINAS
ÉLIMINATION DES TOXINES
ENTFERNUNG VON GIFTSTOFFEN



The M-Next series introduces new colors such as Ubrique Brown and Atlantic Blue, bringing personality and warmth to the new generation of Forma 5 operational desks. These finishes are applied through an eco-friendly process, free of VOCs and with epoxy particle reuse.

La serie M-Next introduce nuevos colores como Marrón Ubrique y Azul Atlántico, que aportan personalidad y calidez a la nueva generación de mesas operativas de Forma 5. Su aplicación se realiza mediante un proceso respetuoso con el medio ambiente, sin COVs y con aprovechamiento de partículas epoxi.

La série M-Next propose de nouvelles couleurs comme Marron Ubrique et Bleu Atlantique, qui apportent personnalité et chaleur à la nouvelle génération de bureaux opératifs Forma 5. Ces finitions sont appliquées via un procédé écologique, sans COV et avec réutilisation des particules d'époxy.

Die M-Next-Serie führt neue Farben wie Ubrique-Braun und Atlantik-Blau ein, die der neuen Generation der Arbeitstische von Forma 5 Persönlichkeit und Wärme verleihen. Diese Oberflächen werden in einem umweltfreundlichen Verfahren ohne VOCs und mit Wiederverwendung von Epoxidpartikeln aufgebracht.

MAINTENANCE AND CLEANING GUIDE

MELAMINE PIECES

Rub the dirty spots with a wet cloth with PH neutral soap.

PLASTIC PIECES

Rub the dirty spots with a wet cloth with PH neutral soap.

METAL PIECES

Rub the dirty spots with a wet cloth with PH neutral soap.

Polished aluminium pieces can have their polish bak by covering and rubbing them with a dry cottom cloth.

GLASS PIECES

Rub the dirty spots with a wet cloth with PH neutral soap.

Do not use abrasive products in any case.

Developed by R&D FORMA 5